

Milano

Mono Basin Mixer

Installation Guide

Contents

Safety Information **Page - 2**

Installation **Page - 2**

Warranty Information **Page - 4**

Recycling & Disposal **Page - 4**

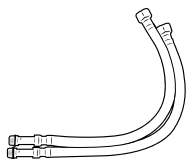
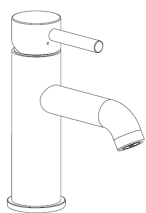
Safety Information

Please read carefully...

- ✓ We recommend installation only by a qualified plumber.
- ✓ If you suspect any part of this product to be damaged in any way, do not continue with installation. Contact the supplier.
- ✓ Tap design may vary.
- ✓ For future maintenance purposes it is recommended that you fit isolation valves onto the inlet feeds.

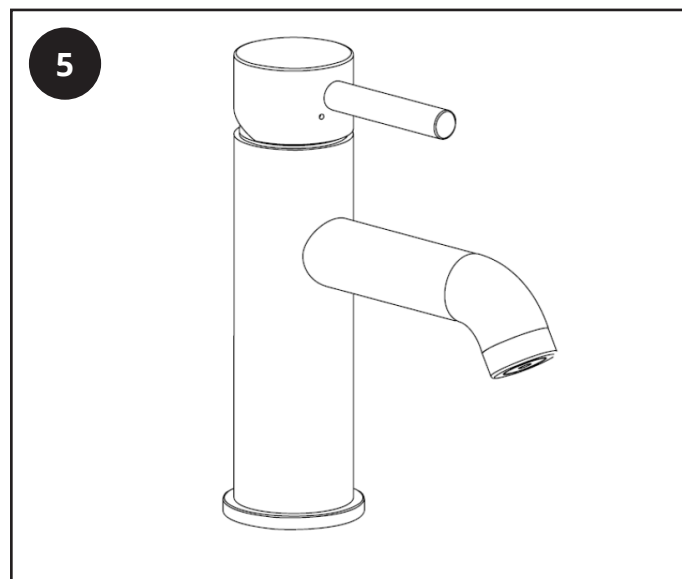
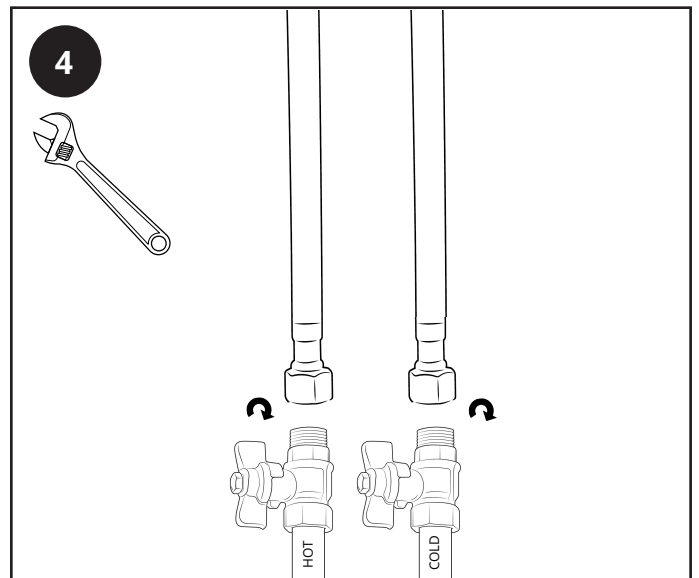
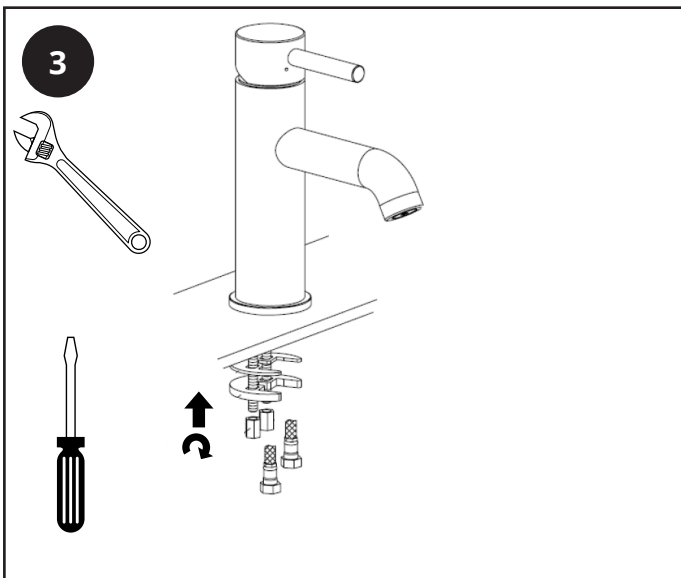
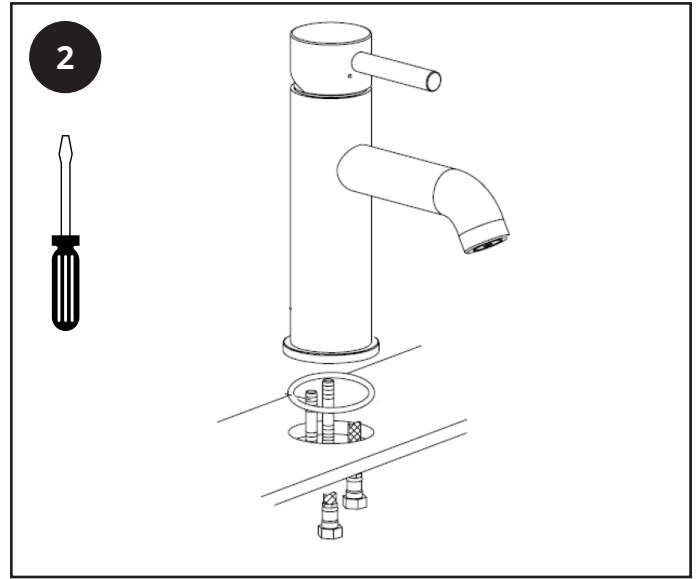
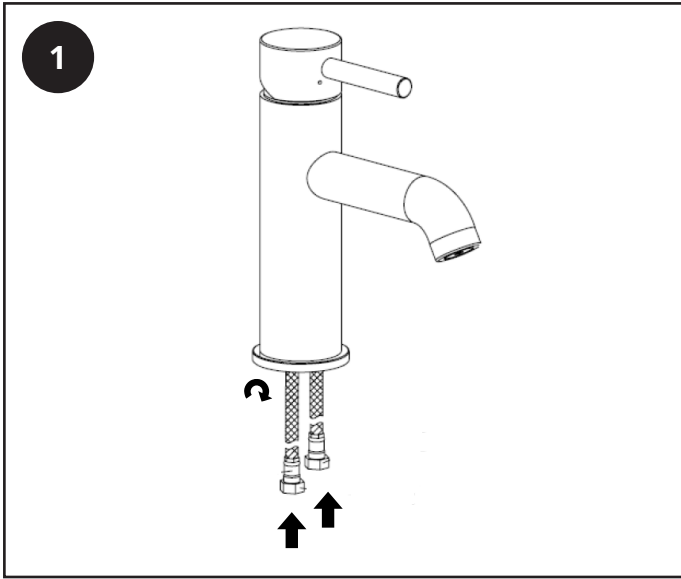
Installation

Parts Supplied:



Tools required for installing:





Warranty Information

- *To find the specific guarantee for your product please refer to the website.*
- *The guarantee starts from the date of purchase.*
- *The guarantee covers you against issues caused as a result of manufacturing related issues, it does not apply to issues that are found to be a result of poor installation.*
- *Labour costs for installation of the product are not covered under this warranty.*

Aftercare

Clean any marks with a soft dry cloth, for stubborn stains please clean with mild soapy water and buff out with a soft cloth.

DO NOT use abrasive or acidic cleaners, if you are unsure, please contact us first.

Recycling & Disposal

Please recycle / dispose of this product in accordance with your local council / government guidelines.

Contact Us

MILANO

Unit 1&2

Burnley

BB11 5UB